

IMPLA Mini implants – small but mighty.

For economic and safe implantation.



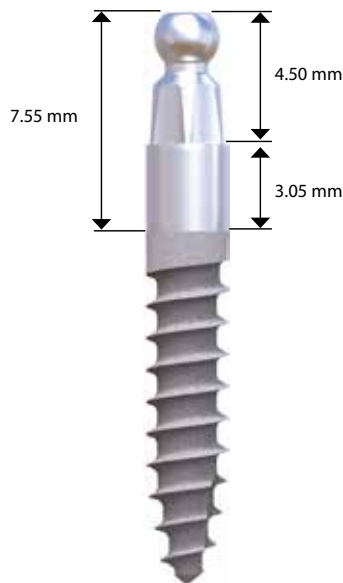
The IMPLA Mini-Series one-piece implants have a high-quality blasted and etched surface. With two different connectors - balltop or conetop - these implants offer a large range of indications.

Both variations are made of titanium grade 4. Thanks to their size and shape, IMPLA Mini implants are also suited for the flapless technique and transgingival insertion, depending on the individual clinical case. The short surgery protocol reduces surgery times. What's more, the small IMPLA Mini surgery box is sufficient for implantation.

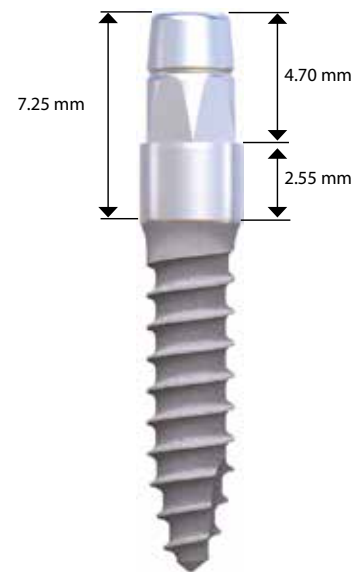
IMPLA Mini implants are a true economic alternative to conventional two-piece implants.

IMPLA Mini-balltop: Ideal for simple fixation of full dentures (cover denture).

IMPLA Mini-conetop: Excellently suited to the support of bar constructions and individual crowns in the posterior sector where the available space is limited.



- High-purity surface, blasted and etched, for a safe osseointegration
- Self-tapping thread for quick and easy insertion
- Cost-effective, great value
- Small diameter for minimally invasive insertion
- Clearly arranged system



IMPLA Mini-balltop

diameter 2.1 mm	art. no.
length 9.5 mm	635481
length 11.5 mm	635482
length 13.0 mm	635483
diameter 2.5 mm	art. no.
length 9.5 mm	635484
length 11.5 mm	635485
length 13.0 mm	635486

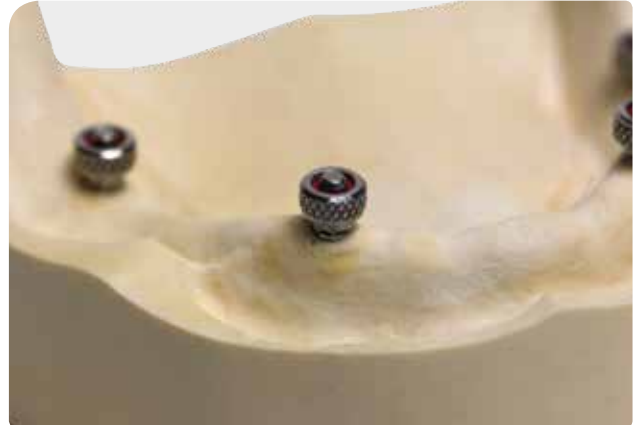
IMPLA Mini-conetop

diameter 3.0 mm	art. no.
length 9.5 mm	635474
length 11.5 mm	635471
length 13.0 mm	635473

Prosthetic IMPLA Mini-balltop



Implant position after insertion (model). The implants are inserted with the insertion aid mechanical (art. no. 637107) or, alternatively, with the insertion aid manual (art. no. 637108).



Fitting of the ball head matrices (model). It is recommended to polymerize the ball head matrix in situ.



Basal surface of the prosthesis shaped around the previously marked implant positions.



Wax placed on the occlusal part of the ball head matrices.

Tip

We recommend polymerizing in two steps:
Step 1: Fix occlusally above the equator of the ball head (intraorally in terminal occlusion).
Step 2: Prepolymerize the basal surfaces of the ball head matrix (extraorally).



Optionally, the lab can polymerize the ball head matrices on the master model.

Please note: This overview is not meant to be considered an instruction leaflet. Please adhere to the system's instructions. The entire responsibility rests with the attending dentist/implantologist. The actual appearance of the individual products may vary from the photos and drawings above.

Prosthetic IMPLA Mini-conetop



Impression of the present situation using a lab analog (art. no. 635493) and the transfer cap (art. no. 635495).



Situation after the master model has been finished.



Individual design of the coping on the POM cap (art. no. 635491).



Cast coping, fitted on the master model.



Coping, veneered with e.g. Nuance 850.

Please note: This overview is not meant to be considered an instruction leaflet. Please adhere to the system's instructions. The entire responsibility rests with the attending dentist/implantologist. The actual appearance of the individual products may vary from the photos and drawings above.

Surgery box, Insertion tools and Accessories

Surgery accessories and insertion tools



IMPLA Mini-Box
(supplied without content)
art. no. 635590



Pilot drill 1.8 mm
art. no. 635230



Pilot drill 2.0 mm
art. no. 635220



Extension drill 2.5 mm
art. no. 635235



Torque ratchet
art. no. 637123



Insertion aid, manual
(Mini-balltop)
art. no. 637108



Insertion aid, short
art. no. 637112

Accessories IMPLA Mini-balltop



Insertion aid, mechanical,
with contra-angle
connection
art. no. 637107



Lab implant
art. no. 635487



Transfer cap
art. no. 635488



Open ball head matrix
incl. O-ring
art. no. 635489



Closed ball head matrix
small incl. O-ring
art. no. 635469



Closed ball head matrix
incl. O-ring
art. no. 635479



O-ring red for ball head
matrix
art. no. 635499



O-ring green for ball
head matrix
art. no. 635500



O-ring small for ball
head matrix small
art. no. 635468

Accessories IMPLA Mini-conetop



Insertion aid long
art. no. 637104



Lab implant
art. no. 635493

Prosthetics set IMPLA Mini-conetop

Prosthetic set (art. no. 635503) composed of:



Transfer cap
art. no. 635495



POM cap
art. no. 635491



Holding screw
art. no. 635502

The actual appearance of the individual products may vary from the photos and drawings above.



Schütz Dental GmbH • Dieselstr. 5-6 • 61191 Rosbach/Germany • Tel. +49 (0) 6003 814-365 • Fax +49 (0) 6003 814-907

www.schuetz-dental.com • export@schuetz-dental.de



Since 1963

IMPLA

IMPLA Mini

Small but mighty...

